
Y-E DATA 702D Series Internal Floppy Disk Drive
Setting for KORG 01/W fd

KORG

01/W_{FD}

Product Specifications



Y-E DATA

3.5 FLOPPY DISK DRIVE

25.4 mm HEIGHT

2.0/1.6/1.0 MB 3 MODE TYPE

Y-E DATA 702D Series Full Height Internal Floppy Disk Drive
Full Compatible KORG 01/W fd

Y-E DATA 702D Series Internal Floppy Disk Drive Setting for KORG 01/W fd



Supports Three Capacity Modes

The YD-702D series provides for three capacity modes (2.0/1.6/1.0MB) to meet the requirements of worldwide standards. The drive provides full read/write compatibility across the 2.0/1.6/1.0MB standard capacities for the international market.

High Reliability

The YD-702D is the culmination of years of floppy disk drive mechanical design and has been proven in use in thousands of hardware applications and environments.

Operation in a Variety of Environments,

01/W - 01/Wfd - 01/W pro - 01W proX , serie T - T1 - T2 - T3 , serie i - i300

By equipping the YD-702D series drive with a lead screw head actuator, we have been able to greatly improve resistance to shock and vibration, thereby protecting the magnetic heads and media from the effects of adverse environmental conditions.

A Drive for Any Need

The YD-702D provides some shorting plug options to meet a variety of applications.

Table 1 Shorting Plug Functions

Note: Shorting plugs are IRISO IMSA-9215H-T or equivalent (2mm pitch).

Pin Name	Function			
IF	Selection of the way that capacity mode is switched.			
	IF	T2	Function	
	O	O	2 Mode (2.0 / 1.0MB) Automatic switching 2.0MB:If high density media is inserted. 1.0MB:If double density media is inserted.	
	S	O	3 Mode (2.0 / 1.6 / 1.0MB) Automatic switching with "MODE SELECT" 2.0MB:If high density media is inserted with "MODE SELECT" is "High". 1.6MB:If high density media is inserted with "MODE SELECT" is "Low". 1.0MB:If double density media is inserted with "MODE SELECT" is not available.	
	S	S	3 Mode (2.0 / 1.6 / 1.0MB) Automatic switching with "MODE SELECT" 2.0MB:If high density media is inserted with "MODE SELECT" is "Low". 1.6MB:If high density media is inserted with "MODE SELECT" is "High". 1.0MB:If double density media is inserted with "MODE SELECT" is not available.	
O	S	2 Mode (1.6 / 1.0MB) Automatic switching 1.6MB:If high density media is inserted. 1.0MB:If double density media is inserted.		
Note: Logical level of "MODE SELECT" is valid for switching a capacity mode.				
H2 H4	Selection of pin for "HIGH DENSITY" output.			
	H2	H4	Function	
	S	O	J1-2 pin	
	O	S	J1-4 pin	
	O	O	Not output on interface	
DC DC2 RY	Selection of pin for "Ready and Disk change" output.			
	DC	DC2	RY	Function
	O	O	S	READY signal to J1-34pin
	S	O	O	DISK CHANGE signal to J1-34pin
	O	S	O	DISK CHANGE signal to J1-2pin
	O	S	S	DISK CHANGE signal to J1-2pin READY signal to J1-34pin
	O	O	O	Not output
DS0,1	Selection of the drive.			

Y-E DATA 702D Series Internal Floppy Disk Drive

Setting for KORG 01/W fd

MODE SELECT

The YD-702D series has an internal circuit that performs the switching of the drive's three (2.0/1.6/1.0MB) capacity modes on using various ways, depending on the individual model purchased. The switching is carried out as described in table 1.2 according to the setting of the shorting plug on the drive's PWB. YD-702D drive are shipped with shorting plugs in the standard setting. Please refer to below and table 1.1 .

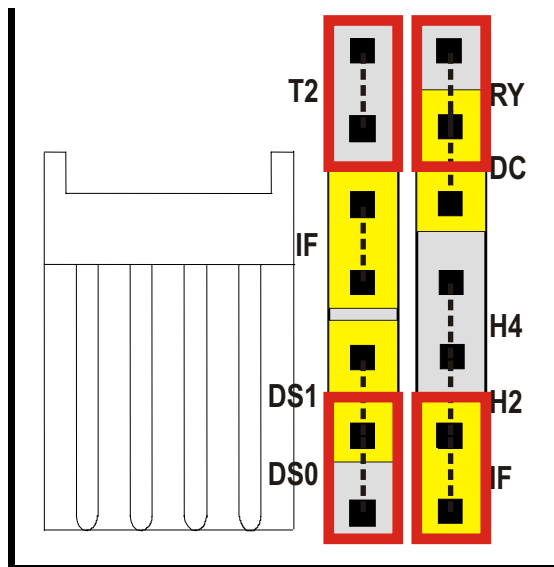
Table 1.2 MODE SELECT



Short Plug Setting	Capacity Mode	Switching Method	Specifications
IF-OPEN T2-OPEN	2 Mode (2.0/1.0MB) 3 Mode	Automatic Switching Automatic	Automatic switching is performed according to the media type in the drive. The drive is in 2.0MB mode with high density media (2HD) and in 1.0MB mode with double density media (2DD).
IF-SHORT T2-OPEN	(2.0/1.6/1.0MB)	Switching with Interface Signal	The drive is in 1.0MB mode with double density media and independent of the "MODE SELECT" signal (J1-2). If high density media is inserted with the "MODE SELECT" signal is "LOW" when the drive is in 1.6MB mode. If high density media is inserted with the "MODE SELECT" signal is "HIGH" when the drive is in 2.0MB mode.
IF-SHORT T2-SHORT	3 Mode (2.0/1.6/1.0MB) 2 Mode	Automatic Switching with Interface Signal Automatic	The drive is in 1.0MB mode with double density media and independent of the "MODE SELECT" signal (J1-2). If high density media is inserted with the "MODE SELECT" signal is "HIGH" when the drive is in 1.6MB mode. If high density media is inserted with the "MODE SELECT" signal is "LOW" when the drive is in 2.0MB mode.
IF-OPEN T2-SHORT	(1.6/1.0MB)	Switching	Automatic switching is performed according to the media type in the drive. The drive is in 1.6MB mode with high density media (2HD) and in 1.0MB mode with double density media (2DD).

- Notes:
- (1) To switch capacity mode is effected by a signal level on the "MODE SELECT" signal.
 - (2) It is necessary to wait 0.5 sec. before executing a read/write operation after motor revolutional speed is switched for capacity mode change. "READ DATA", "INDEX", signals are inhibited to output during this term.

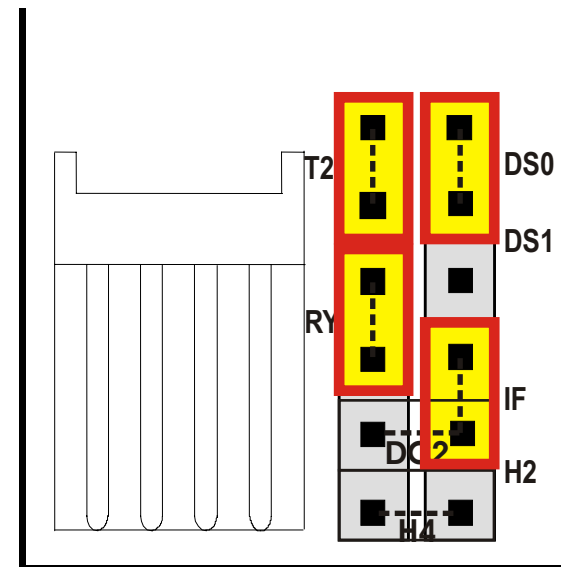
**Y-E DATA 702D Series Internal Floppy Disk Drive
Setting for KORG 01/W fd**



YD-702D-6037D



 Setting for KORG 01/W fd
 Standart setting for IBM PC

YD-702D-6639D-021051



 Setting for KORG 01/W fd
 Standart setting for IBM PC