

# SYSTEM WIRING DIAGRAMS ENGINE PERFORMANCE

1995 Saab 9000

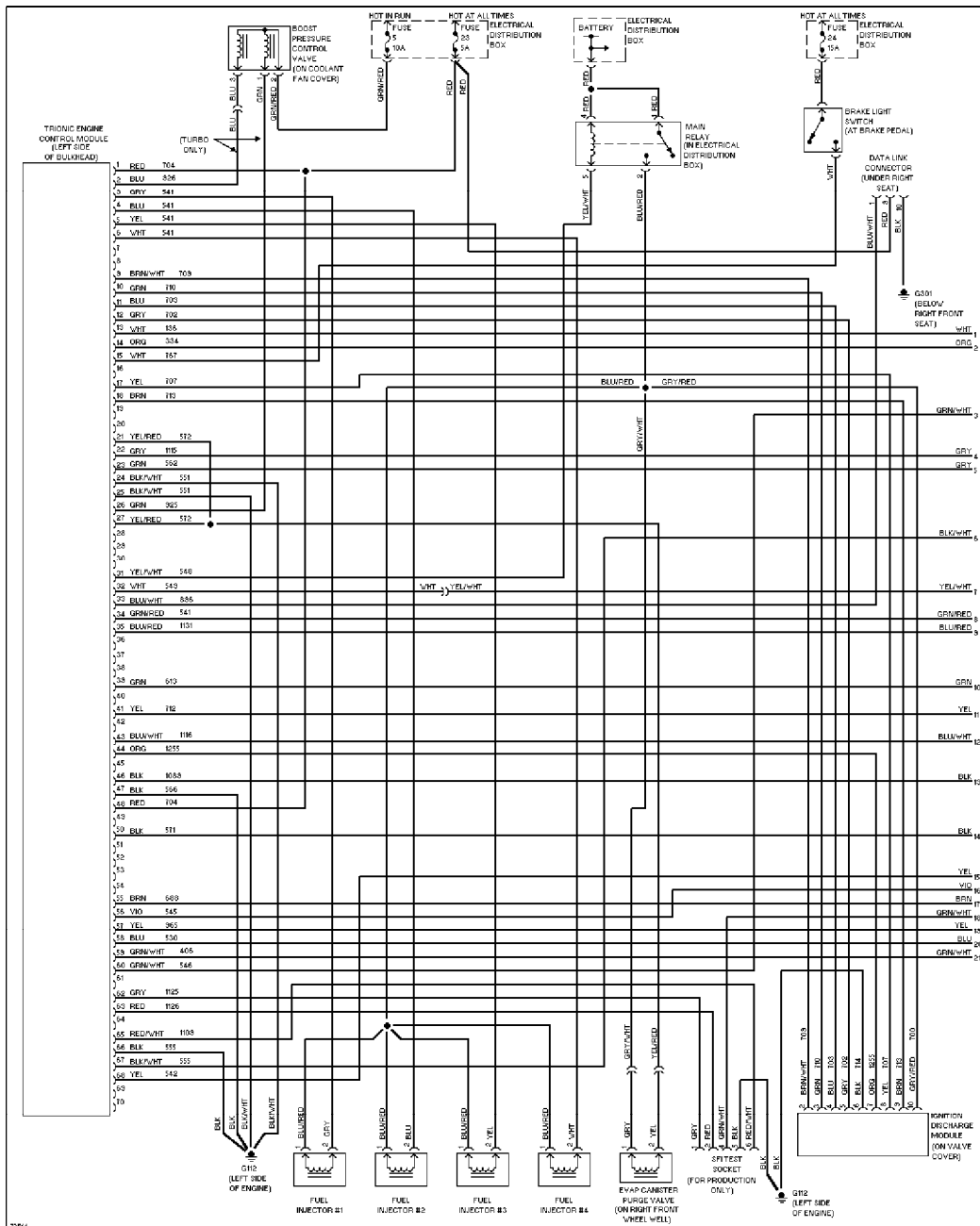
For

Copyright © 1998 Mitchell International

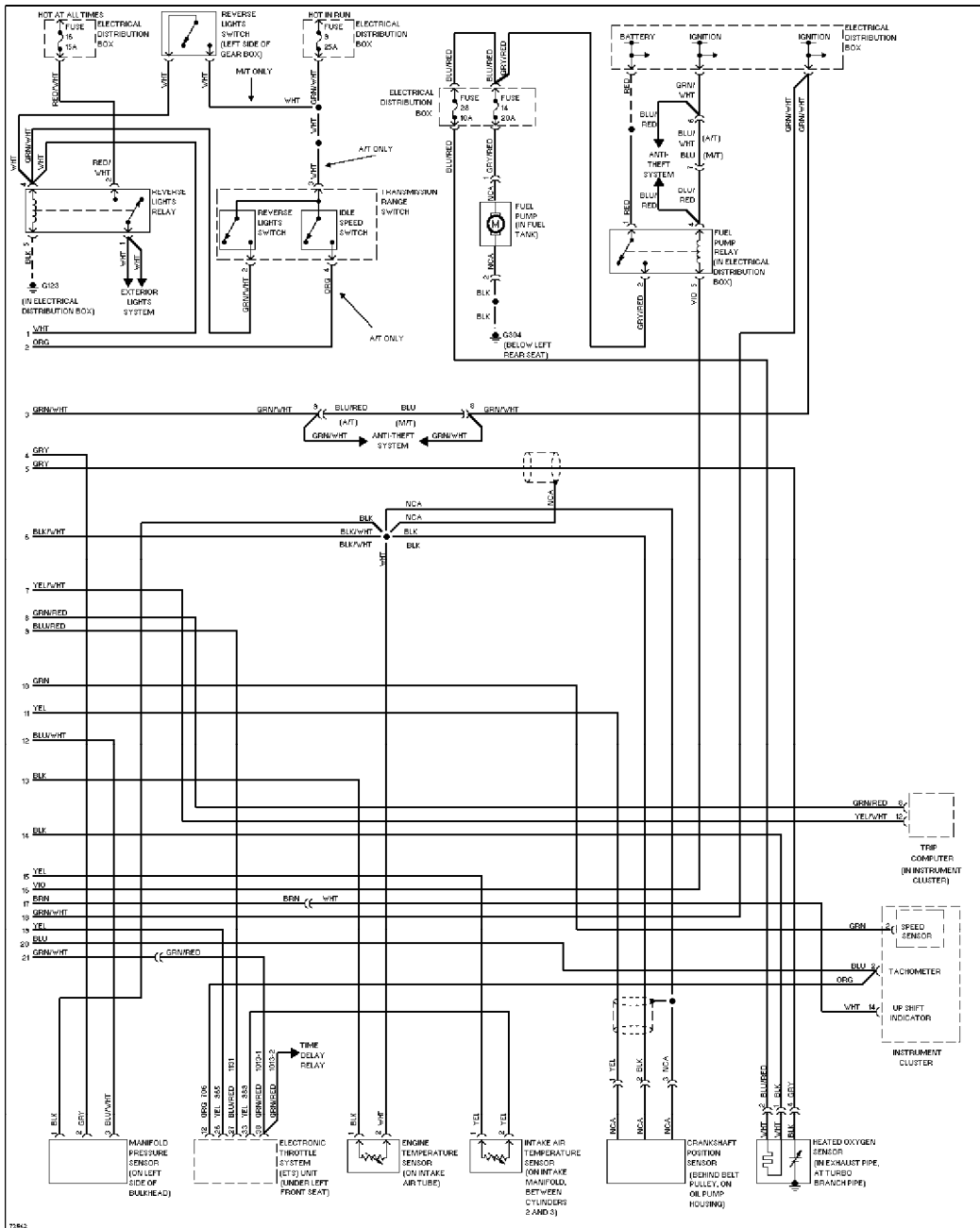
Monday, May 21, 2007 09:10PM

## ENGINE PERFORMANCE

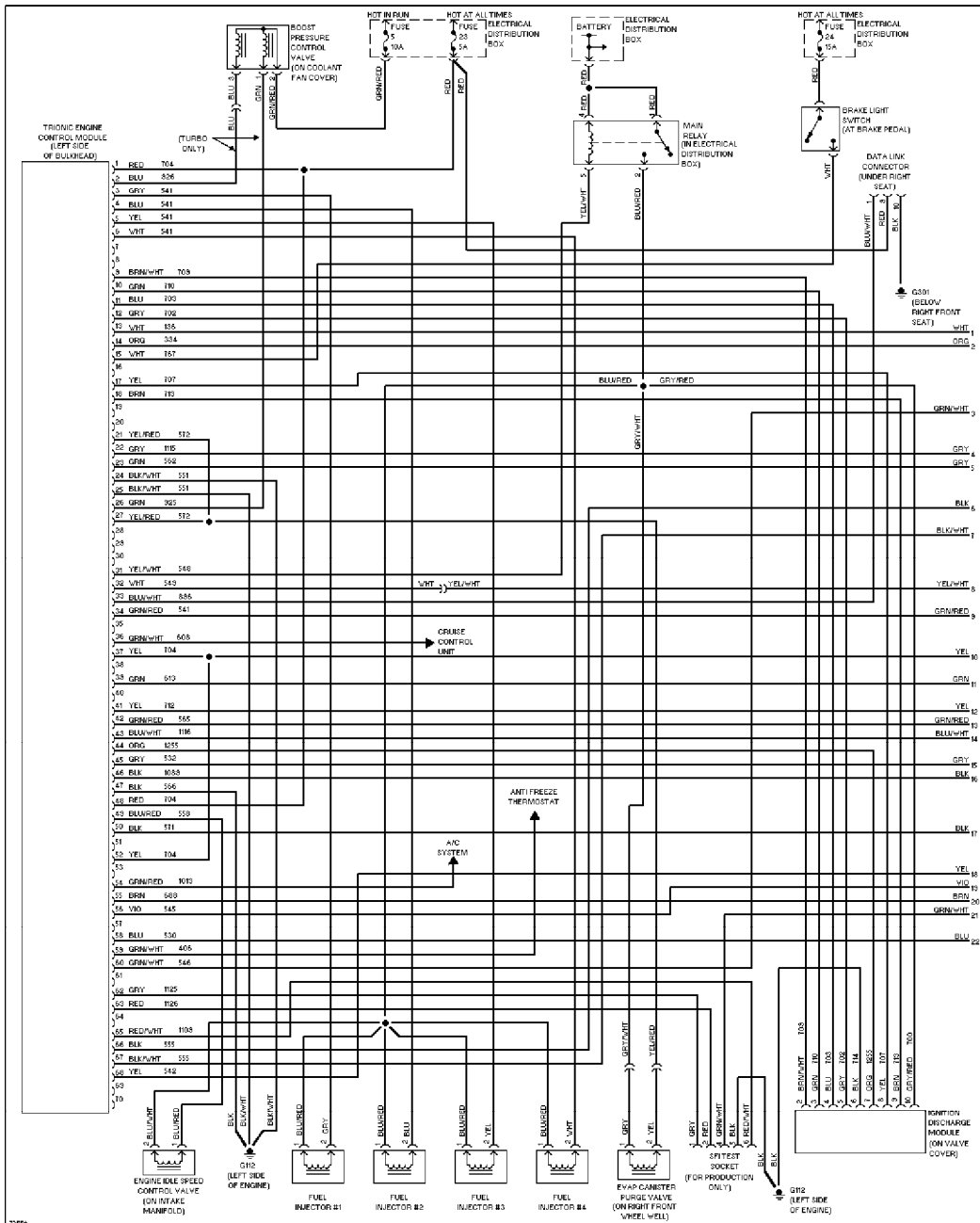
2.3L



2.3L, Engine Controls Circuit, W/ Electronic Throttle System (1 of 2)



2.3L, Engine Controls Circuit, W/ Electronic Throttle System (2 of 2)

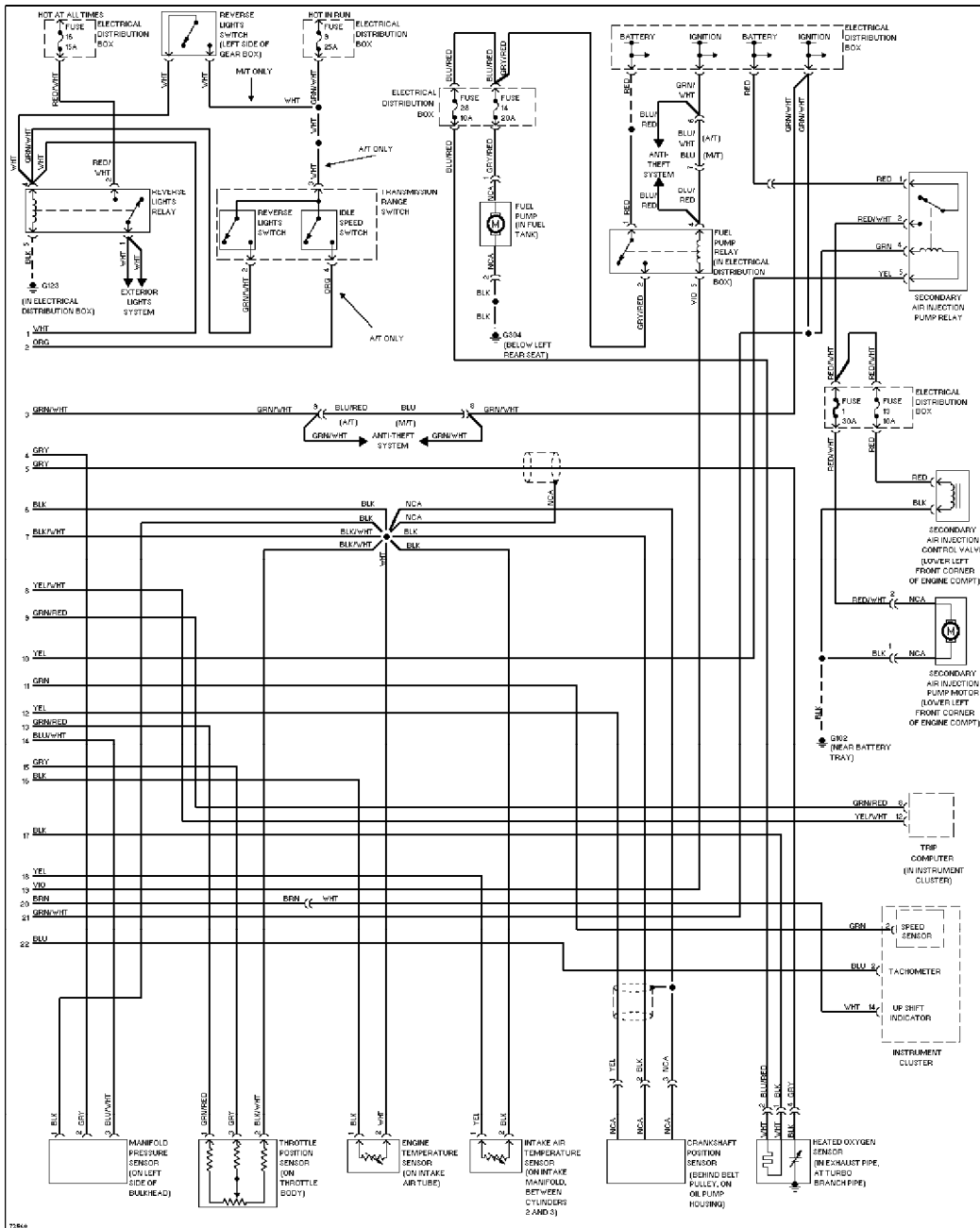


2.3L, Engine Controls Circuit, W/O Electronic Throttle System (1 of 2)

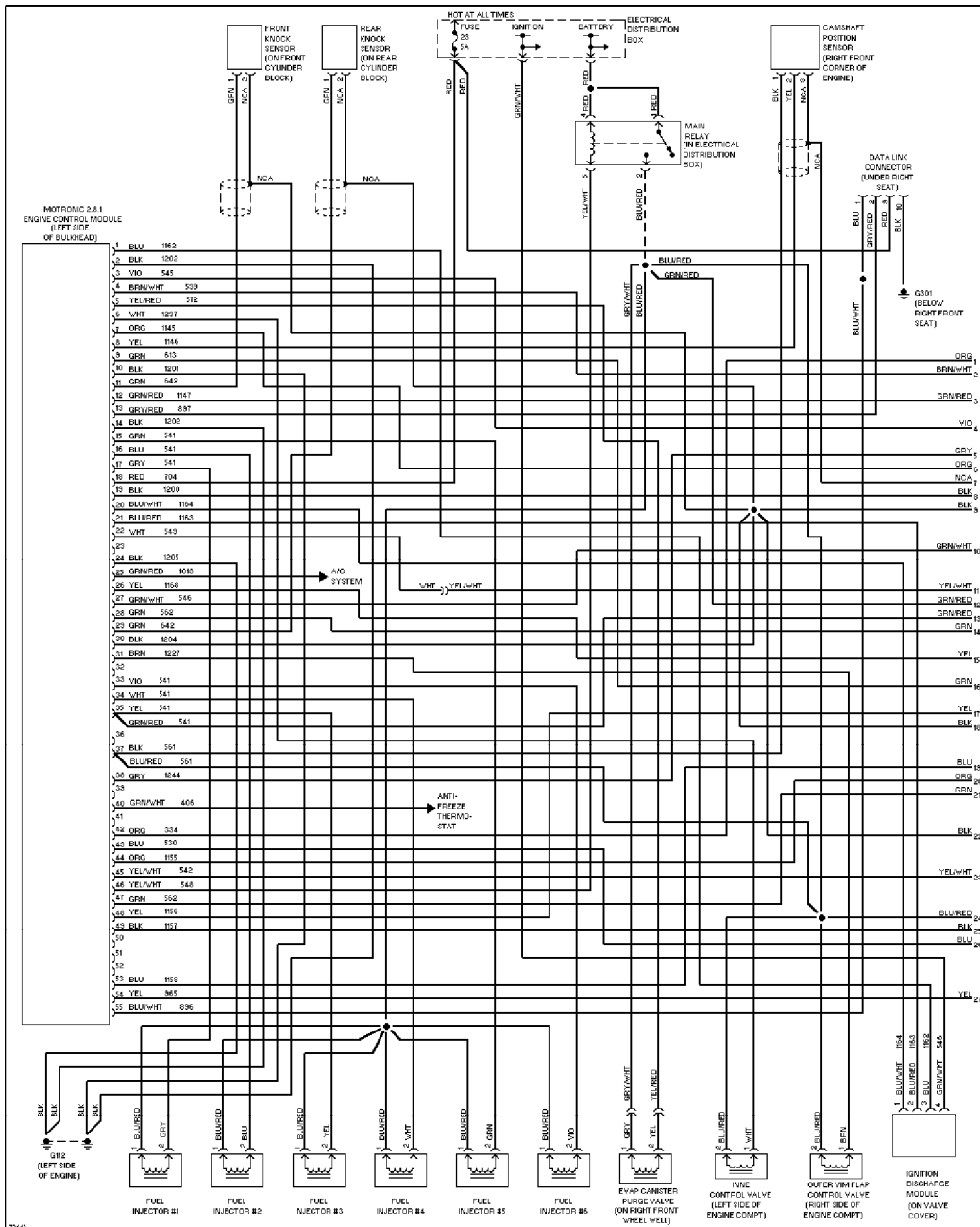
**SYSTEM WIRING DIAGRAMS**

**ENGINE PERFORMANCE (p. 3)**

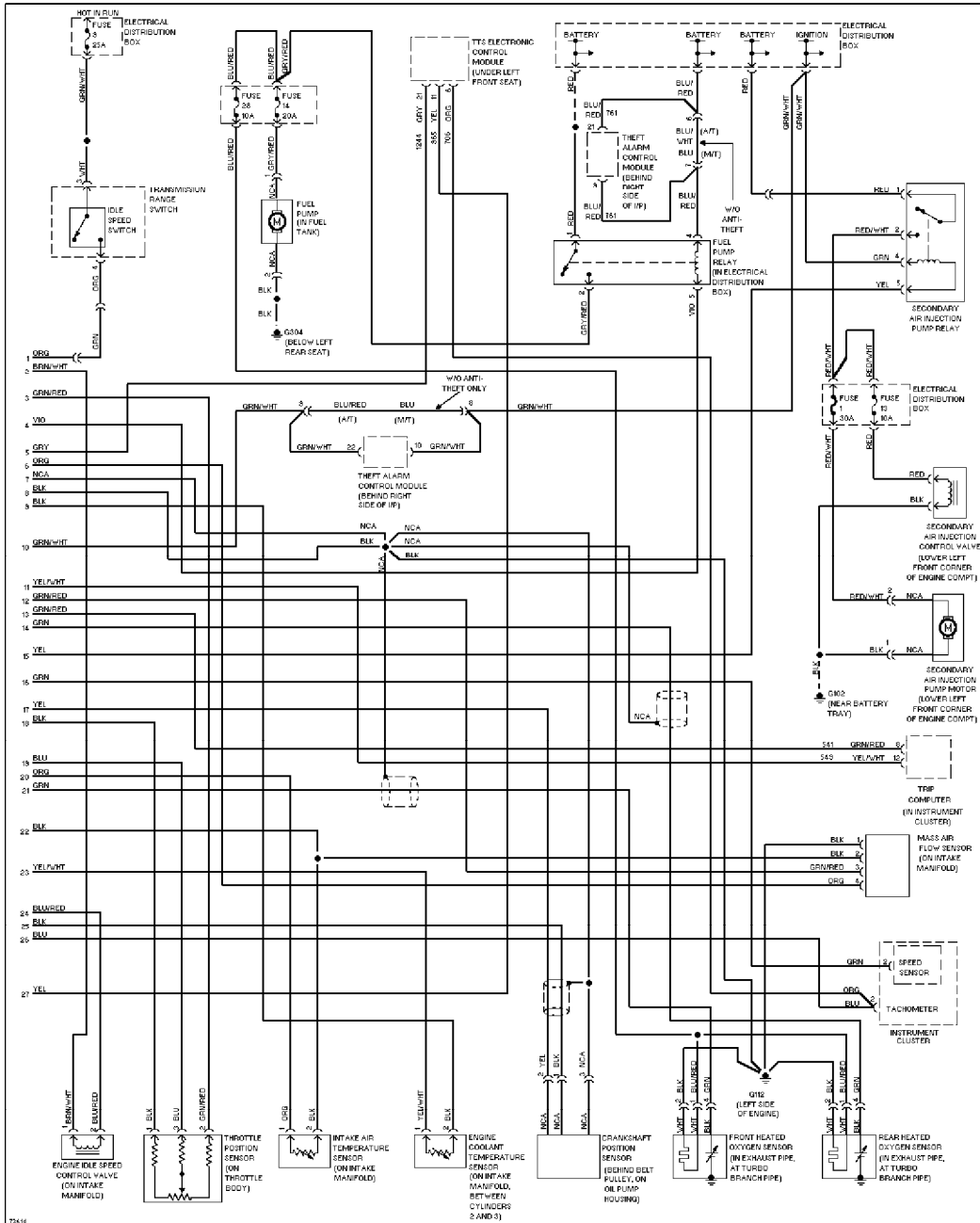
Copyright © 1998 Mitchell Inter



2.3L, Engine Controls Circuit, W/O Electronic Throttle System (2 of 2)



3.0L, Engine Performance Circuits (1 of 2)



3.0L, Engine Performance Circuits (2 of 2)

SYSTEM WIRING DIAGRAMS

ENGINE PERFORMANCE (p. 6)1995 Saab 9000For

Copyright © 1998 Mitchell Inter